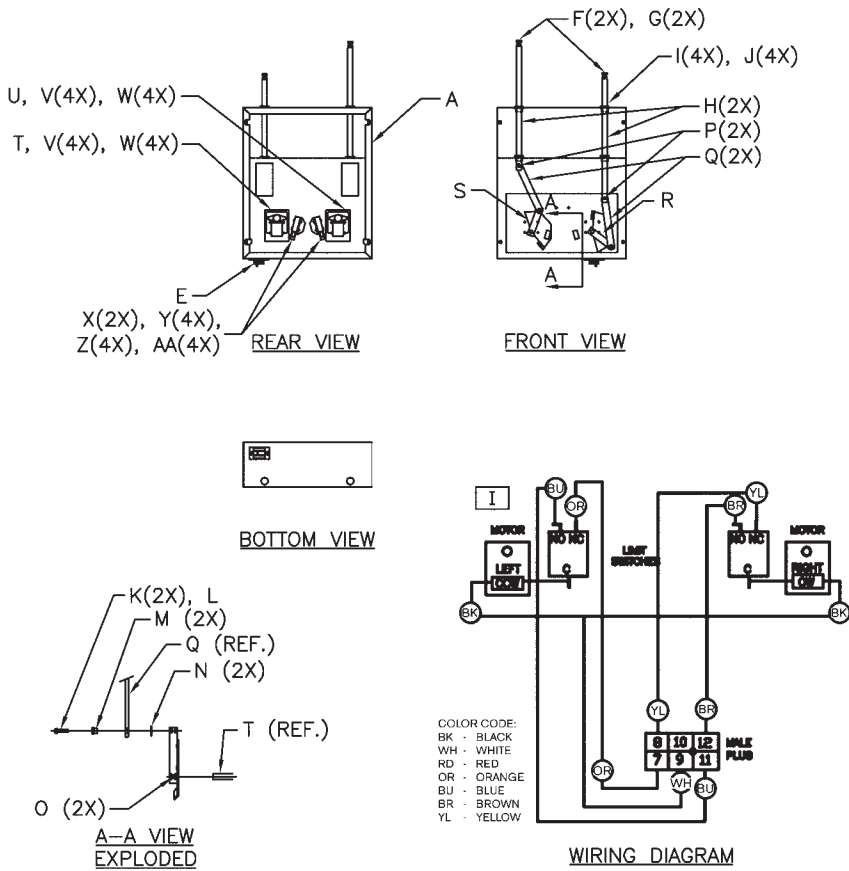




# SERVICE INSTRUCTIONS

1-800-KEATING • keatingofchicago.com

## BASKET LIFT HOUSING 14ZS & 14CM ASSEMBLY 120V MOTORS PART #019017



I	PART NO.	QUANTITY	DESCRIPTION
A	019019	1	HOUSING SHORT WELDMENT
B*	017295	1	REAR COVER
C*	004611	14	SCREW #10X3/8 SM
D			
E	026142	1	WIRE HARNESS & MALE PLUG
F	016382	2	SCREW 1/4-20X3/4
G	006640	2	NUT 1/4-20 HEX
H	018824	2	PUSH ROD
I	016405	4	5/8 X 3/4 BUSHING
J	015831	4	3/4 RETAINING RING
K	015401	2	SCREW #10-24X3/4
L	022345	R/A	SEALANT LOCKTITE
M	016407	2	3/16 X 5/16 BUSHING
N	016406	2	WASHER BRASS
O	016739	2	SCREW 1/4-20 X 1/2 HEX
P	016408	2	ROLL PIN
Q	018823	2	CONNECTING STRAP
R	018887	1	CRANK BAR & CAM RIGHT
S	018888	1	CRANK BAR & CAM LEFT
T	000390	1	MOTOR CCW
U	000391	1	MOTOR CW
V	000755	8	SCREW #8-32X1/4
W	016694	8	WASHER LOCK #8
X	004592	2	MICRO SWITCH
Y	005460	4	SCREW #4-36X7/8
Z	009081	4	NUT #4-36 HEX
AA	005461	4	WASHER LOCK #4
AB*	013118	1	WIRE NUT BLUE
AC*	011508	6	QUICK CONNECTOR 0.250 PINK
AD*	WF0019	1	WIRING DIAGRAM

NOTE: \* -NOT SHOWN ON THE DRAWING

### Installation Instructions:

1. Open control panel and detach it from fryer cabinet.
2. Install the relay assembly with provided hardware to matching holes on control panel back.
3. Attach control panel to fryer cabinet.
4. Cut wire #26 from connector on common prong of high limit test switch and remove it. Reconnect wire #56 from over heat light to ready cook light. Cut wire #23 from connector on left side prong of Melt-Idle-Fry switch and remove it with wire #53 together.
5. Connect wires drawn with thicker lines on the diagram as shown using attached connectors.  
**NOTE:** Pink connectors go to the relay as shown.
6. Close control panel.
7. Test fryer.