



SERVICE INSTRUCTIONS

1-800-KEATING • keatingofchicago.com

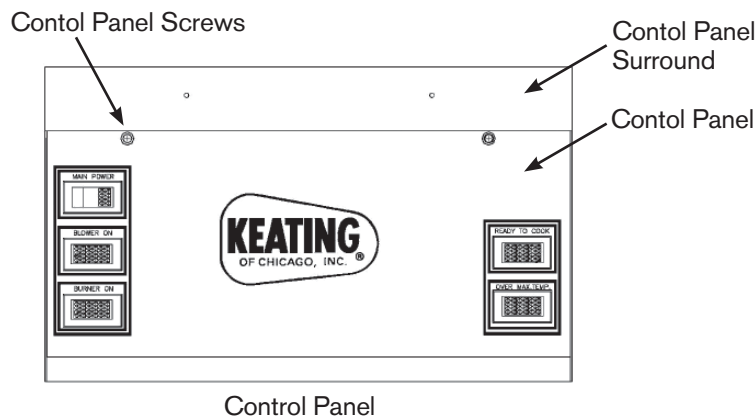


SPARK MODULE REPLACEMENT KIT (PART #037553) KEATING IFM MODEL (REPLACES 030858 & 055998)

Kit Includes:
Module (1)
Ignition Cable (1)

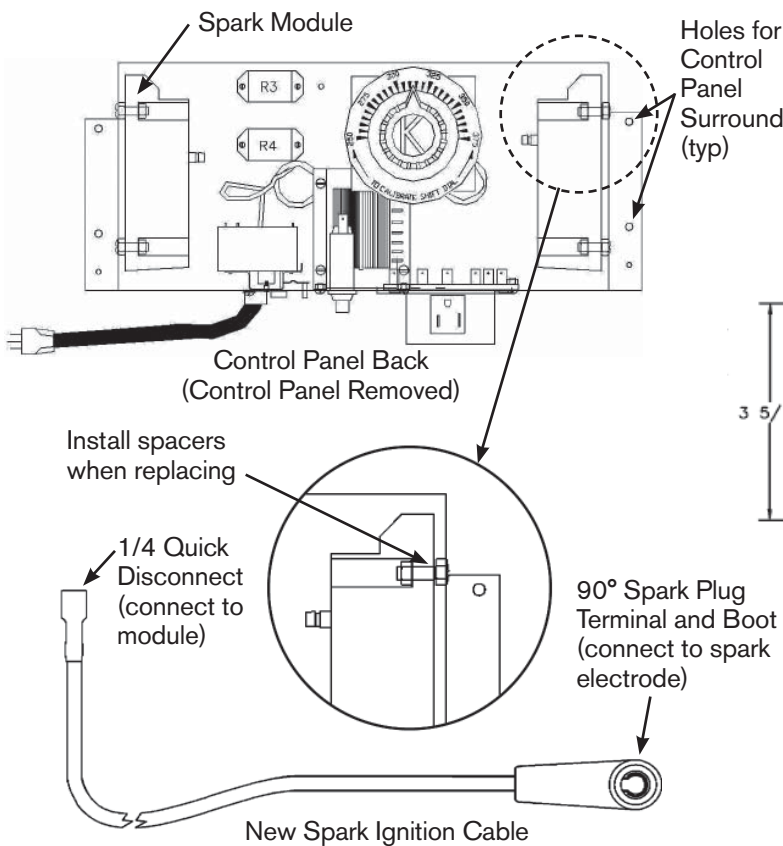
Symptoms Include:
Failed ignition rectification
Delayed Ignition

Replacement:
Replace BOTH Modules and
BOTH Cables if service is needed

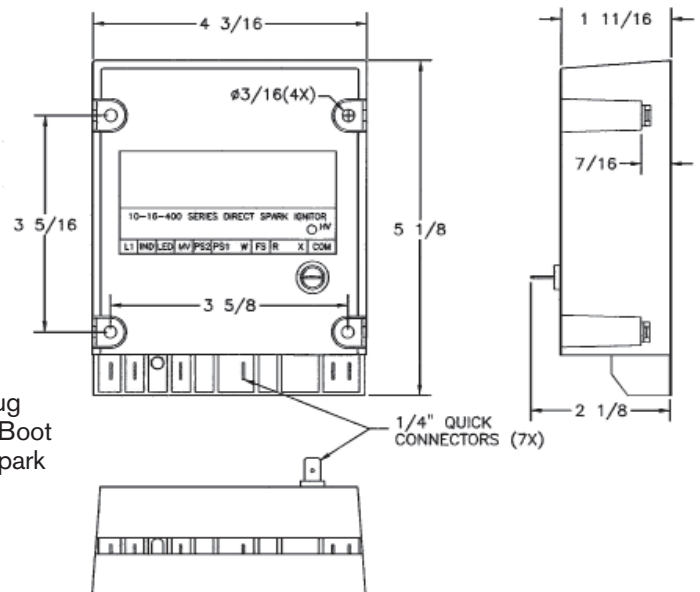


REPLACEMENT INSTRUCTIONS:

1. Remove 2 fryer control panel screws.
2. Remove wires on the modules (mark the wires for connecting to new modules).
3. Remove 4 screws holding module in place and remove module.
4. Install new spark ignition module and screws. **NOTE:** Reinstall spacers between module and control panel back.
5. Replace wires and install new spark ignition cable. Ensure all wires are tight.
6. Remove screws holding control panel surround to cabinet to gain access to spark ignition electrodes.
7. Remove old ignition cables and install new.
8. Replace control panel surround and all screws.
9. Test for proper operation.



New Spark Ignition Module



Dimensions are for reference only.