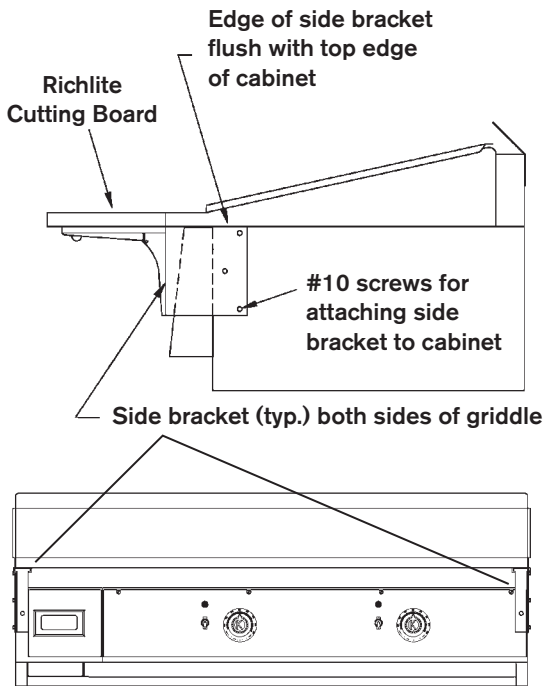




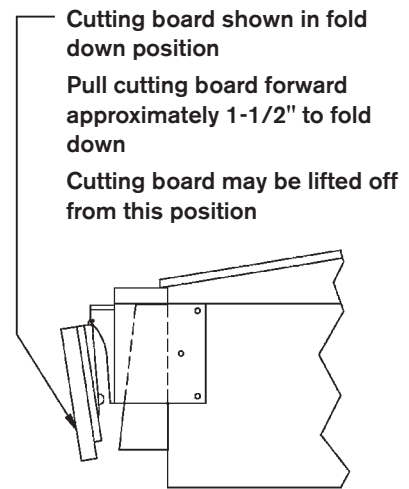
SERVICE INSTRUCTIONS

1-800-KEATING • keatingofchicago.com

INSTALL CUTTING BOARD WITH HINGED BRACKETS PART# 037541



FS VIEW



1. Hold cutting board side brackets in place and mark 3 holes on each side of cabinet. Top edge of bracket is to be flush with upper edge of cabinet side.
2. Drill three holes on each cabinet side with the #19 drill bit provided.
3. Attach cutting board side brackets with #10 sheet metal screws provided.
4. Slide cutting board in place with hinges in folded position as shown on "FS View".
5. Remove existing front of the grease drawer by removing two 10-24 acorn nuts shown on "Detail A".
6. Assemble the grease drawer, using the new front. Make sure grease drawer fits well in the griddle cabinet. Adjust grease drawer front if needed. Tighten the nuts.

DETAIL A

