



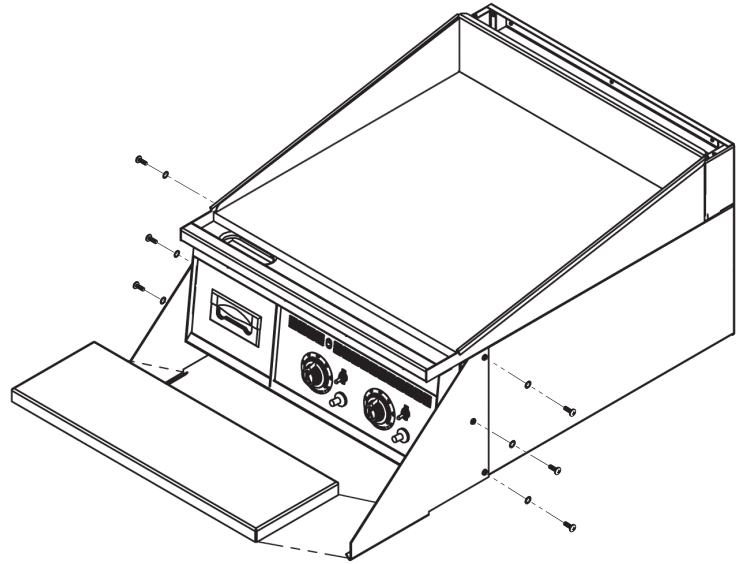
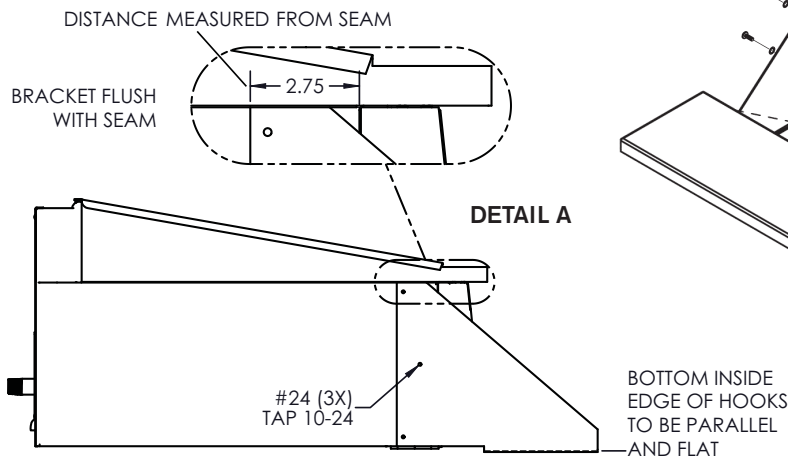
SERVICE INSTRUCTIONS

1-800-KEATING • keatingofchicago.com

INSTALLATION INSTRUCTIONS FOR STAINLESS STEEL PLATE SHELF WITH BRACKETS ON KEATING GRIDDLES

REQUIRED TOOLS:

- Drill Gun
- #24 Drill Bit
- Phillips Screw Driver
- 10-24 Tap



INCLUDED IN YOUR PACKAGE:

- A** STAINLESS STEEL PLATE SHELF (1x)
- B** SIDE SUPPORT BRACKET S/S (2x)
- C** #10 SCREWS FOR ATTACHING BRACKET TO CABINET (6x)
- D** #10 INTERNAL TOOTH LOCK WASHER S/S (6x)

1. Hold the side mounting bracket in place (using orientation from detail A), and mark the mounting holes on the cabinet sides. NOTE: Bracket hooks must be as flat and parallel as possible for proper mounting of the plate shelf.
2. Drill out marked holes in cabinet sides using a #24 drill bit, and then tap to 10-24.
3. Attach side brackets to cabinet sides using #10-24 x 1/2" screws and washers provided.
4. Slide plate shelf between side brackets and hang on hooks.

NOTE: A griddle sitting on a stand with plate shelf must have outrigger legs on the front of the stand.